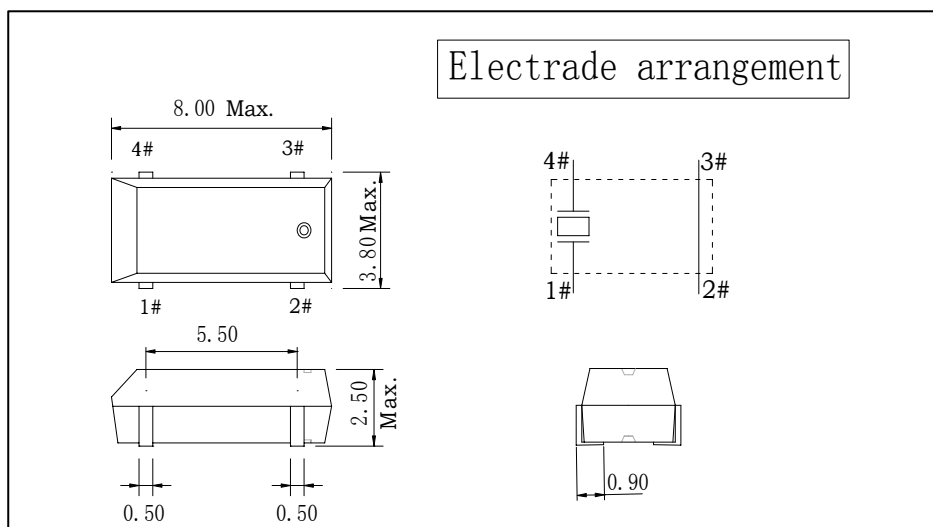


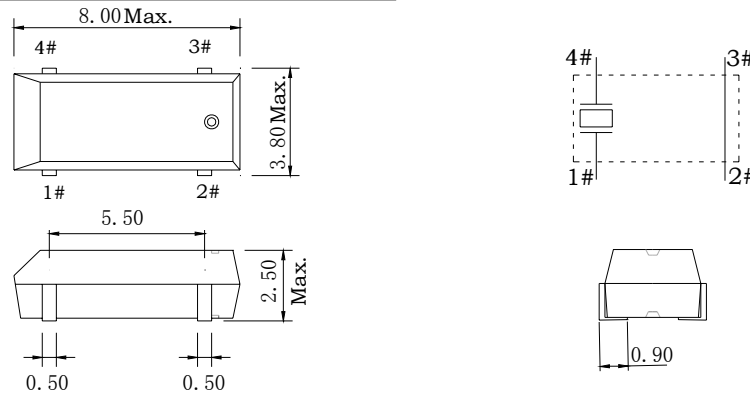
Electrical Specifications:

ITEM	Specification
Nominal Frequency	32.768KHz
Storage Temperature Range	-55C to +125C
Operating Temperature Range	-40C to +85C
Frequency tolerance	+/-20 ppm
Resonance Resistance(R)	50K max.
Load Capacitance(CL)	12.50pF
Series Resistance	50K $\Omega$ max
Shunt Capacitance (Co)	2.0 pF TYP
Motional capacitance(c <sub>1</sub> )	4.0 fF TYP
Drive Level	1 uW max
Aging	+/-5ppm/year @25C
Insulation Resistance	500M min at DC 100V

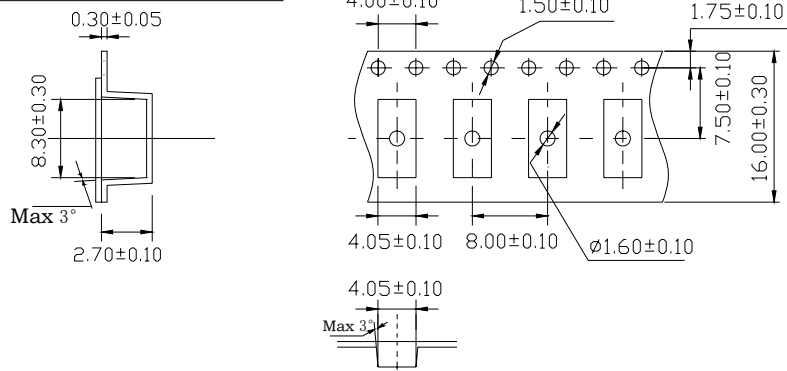
Mechanical Dimensions (mm):



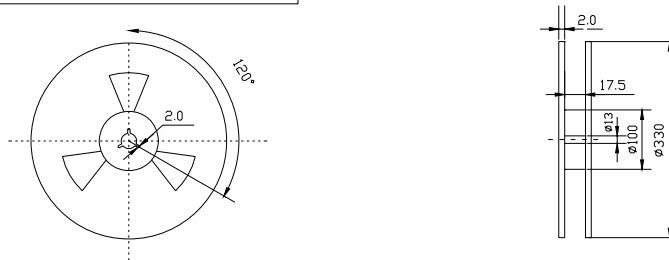
### Electrade arrangement



### tape dimension



### Reel dimension



### Soldering Condition

